

2764 Monobolt

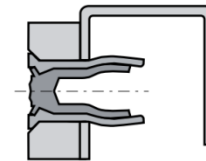
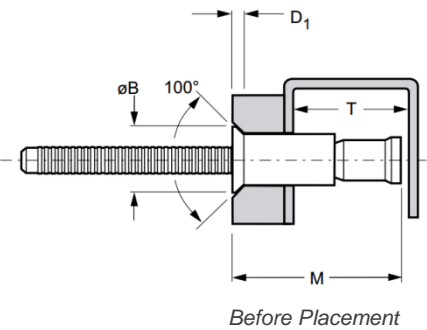
Countersunk head · Aluminium body · Aluminium stem · Multi-grip
4.8 mm (3/16") - 6.4 mm (1/4")

Features

- Multi-grip structural breakstem fastener
- Fully sealed joint and visible lock for quick and easy inspection
- Excellent hole fill via radially expanded body provides very strong, vibration resistant joints and compensates for irregular, oversized, slotted or misaligned holes
- Good sheet take-up performance for large gap closing capability
- Stem mechanically locked into body avoids damage, electrical problems or rattling caused by loose stems
- High shear and tensile strength

Material

- Body: Aluminium alloy (5 % Mg), polished
- Stem: Aluminium alloy, natural



Part No.	Size ø	Grip Range		Hole Size		M max.	øB max.	D ₁ max.	T min.	Shear (typical) kN	Tension (typical) kN
		min.	max.	min.	max.						
02764-00615	4.8	3.17	8.41	4.9	5.1	20.0	8.3	2.2	10.5	2.89	2.11
02764-00619	(3/16")	3.17	12.22			26.3			13.5		
02764-00821	6.4 (1/4")	3.17	12.07	6.6	7.0	27.2	10.1	2.4	13.0	6.00	4.22



Can't find what you are looking for?

We can provide customized finishing and colouring.
Contact your nearest [Gripwell](http://www.gripwell.com) team for assistance!